



**Food Processor  
Stainless Steel Cutter Mixer - 11.5 LT - 2  
Speeds with Microtoothed Blade, Bowl  
and Scraper**

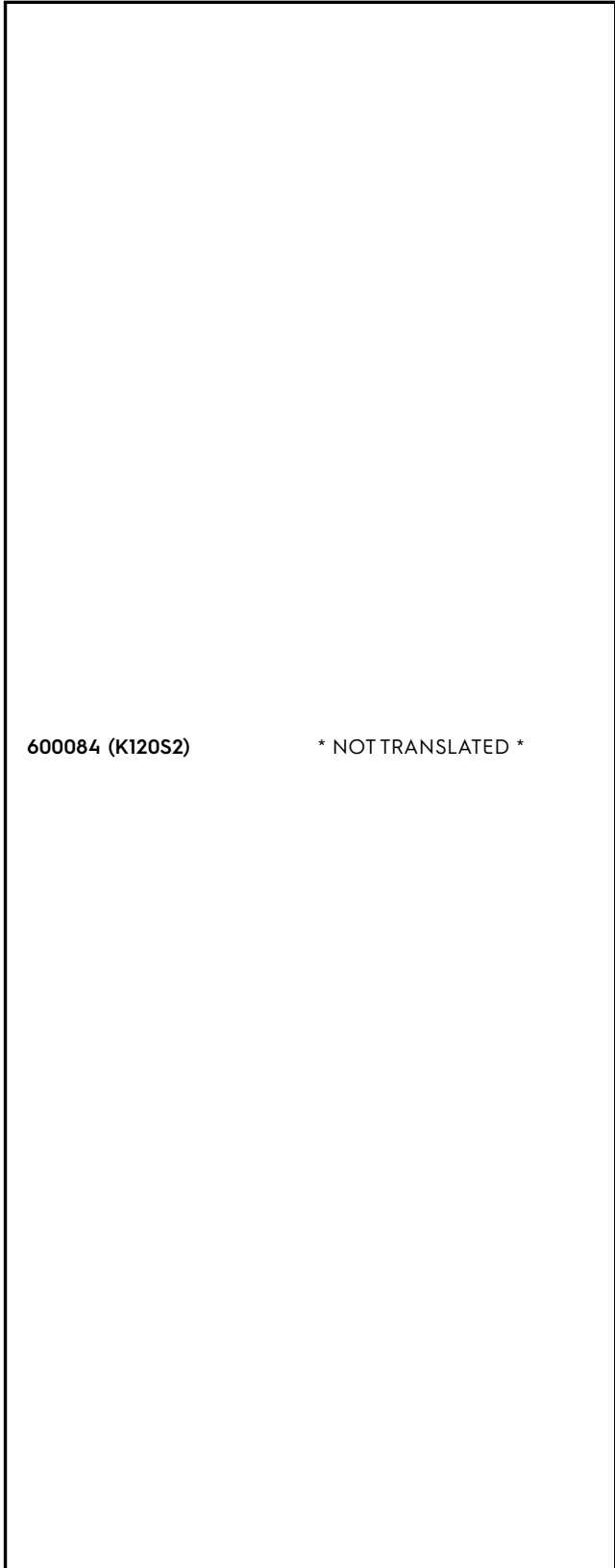
ITEM # \_\_\_\_\_

MODEL # \_\_\_\_\_

NAME # \_\_\_\_\_

SIS # \_\_\_\_\_

AIA # \_\_\_\_\_



600084 (K120S2)

\* NOT TRANSLATED \*

**Main Features**

- Productivity suitable for 100-200 meals per service.
- Food processor allows fast liquidizing, mixing, mincing, chopping and pastry-making.
- Delivered with:-11.5 liter stainless steel bowl with max liquid level indication to avoid spillage-micro toothed perforated blade-scraper
- Angled perforated knives and conical base of the bowl ensure consistent mixing.
- Lid with central opening to add ingredients in mid-cycle.
- Base fixed cover for a better handling.
- Cover metal frame to ensure seal water tightness to avoid leakage.
- All parts in contact with food are removable without tools and completely dismountable.
- Pulse function to coarse chopping.

**Construction**

- 304 AISI stainless steel bowl with leak resistant spout and handles, easy to manage.
- Scraper with SS handle, easy to dismount.
- 2 speeds: 1500 and 3000 rpm.
- Power: 2200 watts.
- IP65 touch button control panel.
- Cover handle with double safety locking system.
- Transparent BPA free cover incorporates a magnetic safety system which stops the machine if lid is not properly closed.
- A safety device requires to press the start button to restart the machine after a power cut.
- Asynchronous silent industrial motor for heavy duty and longer life.

**Included Accessories**

- 1 of - NOT TRANSLATED - PNC 650059
- 1 of - NOT TRANSLATED - PNC 650060
- 1 of - NOT TRANSLATED - PNC 650073

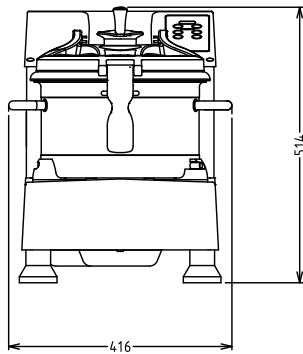
**Optional Accessories**

- - NOT TRANSLATED - PNC 650059
- - NOT TRANSLATED - PNC 650060
- - NOT TRANSLATED - PNC 650073
- Stainless steel mobile stand. Height: 730 mm PNC 653017
- Serrated blade rotor for 11,5 lt cutter mixer PNC 653299
- Serrated blade rotor for meat for 11,5 lt cutter mixer PNC 653538

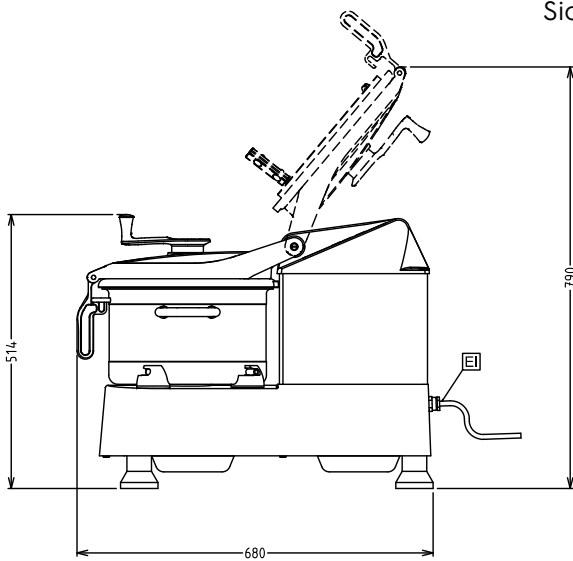
APPROVAL: \_\_\_\_\_



Front

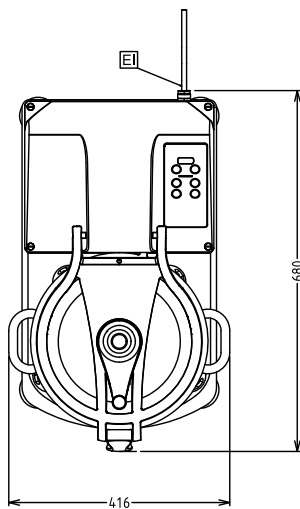


Side



EI = Electrical inlet (power)

Top


**Electric**
**Supply voltage:**

600084 (K120S2) 380-415 V/3 ph/50 Hz

**Electrical power max.:**

2.2 kW

**Total Watts:**

2.2 kW

**Capacity:**
**Performance (up to):**

6 kg/Cycle

**Capacity:**

11.5 litres

**Key Information:**
**External dimensions, Width:** 416 mm

**External dimensions, Depth:** 680 mm

**External dimensions, Height:** 517 mm

**Shipping weight:** 68 kg